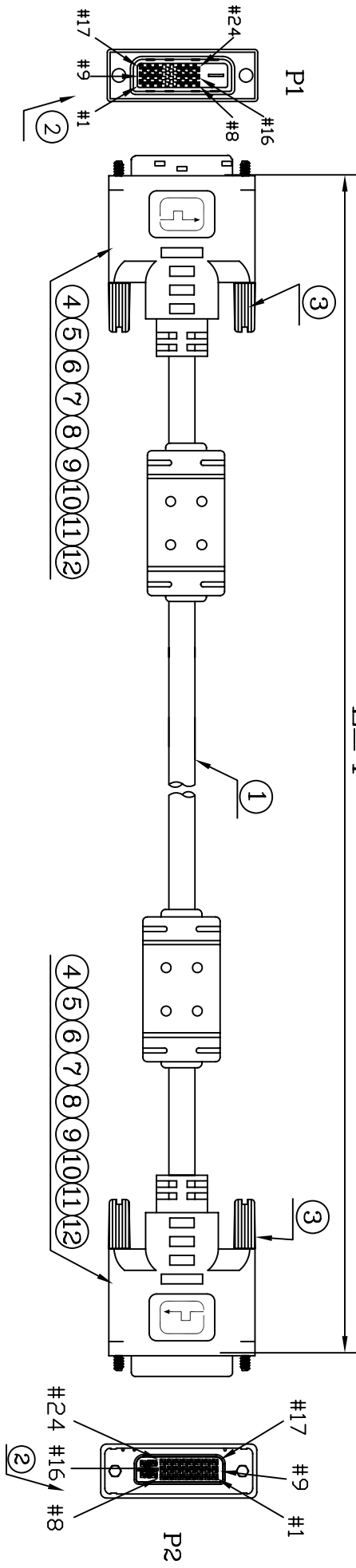


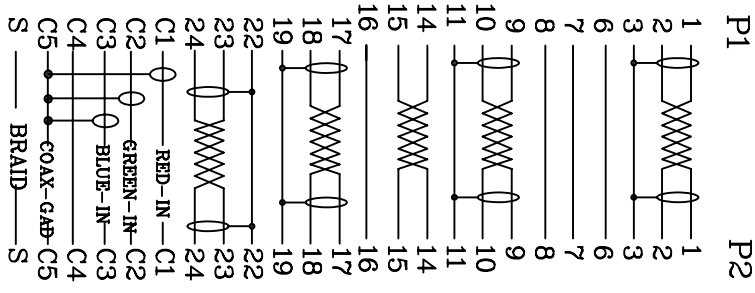
家ノ编号

外機:  
内機:

1.1.1



PIN ASSIGNMENT



NO	DESCRIPTION	QTY	UNIT
1	CARTON:46*30*25CM	1/50	PCS
*	PE BAG:30"*28"*0.08MM	1/50	PCS
*	PE BAG:6"*8"*0.06MM	1	PCS
*	TIE-A/BEIGE	120.0*1	MM
12	PVC-BEIGE02/50	33.0	G
11	SDL-WIRE-FULL-TIN-1.2	3.0	G
10	HI TEAMP TAPE:W:25MM;	80.0*2	MM
9	FDIL-CU-30MM	65.0*2	MM
8	PE-5321	8.5	G
7	SDL-WIRE-FULL-TIN-1.0	1.2	G
6	TUBE-HT-Ø1.0MM (薄型)	15.0*8	MM
5	TUBE-HT-Ø2.0MM (薄型)	5.0*8	MM
4	TUBE-HT-Ø3.0MM (薄型)	10.0*8	MM
3	D.V.I-29P-FEMALE	1	PCS
2	D.V.I-29P-MALE	1	PCS
1	UL20276 [28#*(1P+ADM)*4C+28#*5C1+A+D +B-DD:7.3 (聯類或同級品)]	1.6	M

七	变内	变	变	五
A0	標版			07-01-24
	本			

公差Tolerance:  
0-10±0.10  
10-40±0.25  
50-99±0.40

品名Title: **DVI-29P MALE/FEMALE CABLE**

鴻裕企業有限公司  
HUNG HOW ENTERPRISE CO., LTD.  
TEL:2-2687-0029 FAX:2-2687-0035

SIZE: A4 UNIT: MM  
SCALE: 1:1

三角投影法

客戶料号:

PAGE: 1 OF 1  
DATE: 07-01-11